

Smart and Simple Compressed Air Solution

MSS 4-75KW Screw Compressors
MDS 10-260 Refrigerant Dryers



www.markcompressors.in



OIL-INJECTED SCREW COMPRESSORS

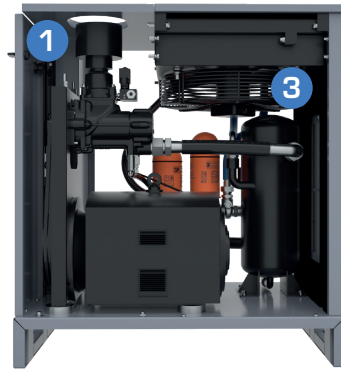
Mark's oil-injected screw compressors have been specially designed for India's tropical conditions and are ideal for various industries and assembly production. Our compressors have a capacity starting from 4.5 kW. With a simple LCD display control system, user-friendly design, top-of-the-line quality and durability, we guarantee lasting performance.



Smart technical advantages

1 Asymmetric profile rotors mounted on high-quality ball and roller bearings along with a high degree of sealing and fine tolerance guarantee:

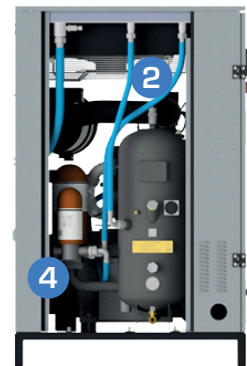
- » Greater yield
- » Long life & reliability
- » High efficiency
- » Lasting performance



3 Horizontal design brings high-efficiency internal cooling

2 Simple user-friendly controller with outstanding functions

- » Color coded on/off buttons
- » LCD display
- » Fault indication & reset function
- » Service warnings
- » Reverse rotation protection



4 Fast service pre-filtration

- » Smart slot design allows quick servicing
- » Easy cleaning with washing or air blowing

Technical data

Model												
	Max. Pressure	Motor		Capacity			Noise	Weight	Connection	Dimension		
	Bar (G)	kW	HP	I/S	cfm	m ³ /min	dB±2	kg	G	Length (mm)	Width (mm)	Height (mm)
MSS 4 TM	10	4	5	9.04	19	0.51	68	200	½"	1540	751	1473
MSS 5.5 TM	10	5.5	7.5	11.4	24	0.65	68	230	½"	1540	751	1473
MSS 7.5	8	7.5	10	18	40	1.1	68	235	½"	650	650	890
	10	7.5	10	14	30	0.85						
MSS 11	8	11	15	27	60	1.6	70	235	¾"	650	850	930
	10	11	15	20	45	1.2						
MSS 15	8	15	20	34.5	75	2.0	70	235	¾"	650	850	930
	10	15	20	30.6	65	1.8						
MSS 18.5	8	18.5	25	51	110	3.0	70	345	1"	710	740	1275
	10	18.5	25	42	95	2.5						
MSS 22	8	22	30	58.1	125	3.3	70	350	1"	710	740	1275
	10	22	30	49	105	2.8						
MSS 30	7	30	40	86.1	185	4.9	75	500	1"	860	850	1345
	10	30	40	65.1	140	3.7						
MSS 37	7	37	50	94	205	5.6	75	530	1"	860	850	1345
	10	37	50	89	185	5.3						
MSS 45	7	45	60	116	250	6.96	75	650	1 ½"	1320	970	1380
	10	45	60	93	200	5.58						
MSS 55	7	55	75	150	320	8.60	78	875	2"	1574	1159	1718
	10	55	75	116	245	6.90						
MSS 75	7	75	100	205	425	11.90	79	1107	2"	1574	1159	1718
	10	75	100	161	340	9.61						

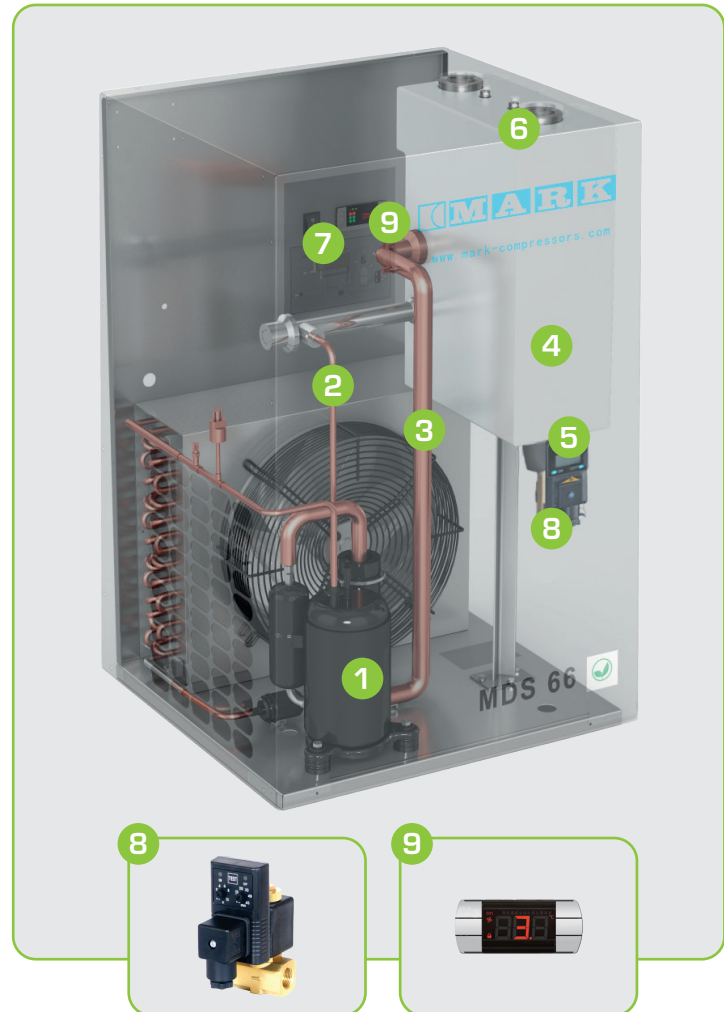
MDS REFRIGERANT AIR DRYERS

Mark is the largest air dryer manufacturer in the world with a 49-year legacy of serving various industries. Our dryers have a capacity starting from 0.36 kW. With an easy-to-operate on/off controller, 3-in-1 heat exchanger and a durable

refrigerant with environment-friendly gases, we guarantee energy efficiency and longer runtime. Mark air dryers have ISO 9001, ISO 14001 quality assurance.

Mark MDS refrigerated compressed air dryer

- 1. Refrigerant compressor**
Driven by an electric motor, cooled using refrigerant fluid and protected against thermal overload
- 2. Refrigerant condenser**
Air-cooled and with a large exchange surface for efficient thermal exchange
- 3. Motor-driven fan**
For the condenser cooling air flow
- 4. Air/refrigerant evaporator**
With high thermal exchange and low leakage
- 5. Condensate separator**
High-efficiency separator for optimum performance
- 6. Air-air exchanger**
With high thermal exchange and low load losses
- 7. On/off switch**
Reliable simple on/off switch to turn on and off the dryer
- 8. Automatic discharge of condensate**
User adjustable, timer solenoid drain, reliable and timely, proven design
- 9. Control panel**
Indicates all relevant information



Model								Refrigerant				
	Max. Pressure	Capacity			Motor	Electrical	Connection		Dimension	Weight		
	Bar (G)	I/S	cfm	m ³ /min	kW	V/Ph/Hz	G	Length (mm)	Width (mm)	Height (mm)	kg	
MDS 10	13	16.6	36.3	1.0	0.21	230/1/50	3/4"	362	430	446	30	R134a
MDS 13	13	21.6	46.9	1.3	0.36	230/1/50	3/4"	550	370	704	30	R134a
MDS 21	13	36.0	74.1	2.1	0.36	230/1/50	3/4"	550	370	704	34	R134a
MDS 40	13	66.6	141.2	4.0	0.70	230/1/50	1"	520	500	809	55	R410A
MDS 66	13	110.0	233.0	6.6	0.96	230/1/50	1 1/2"	520	500	809	60	R410A
MDS 85	13	141.6	300.2	8.5	0.98	230/1/50	1 1/2"	550	600	958	68	R410A
MDS 105	13	176.0	370.8	10.5	1.00	230/1/50	2"	550	600	958	75	R410A
MDS 140	13	233.3	494.4	14.0	1.67	230/1/50	2"	900	750	1009	110	R410A
MDS 175	13	291.6	618.0	17.5	1.75	230/1/50	2"	900	750	1009	126	R410A
MDS 220	13	366.3	776.6	22.0	2.86	230/1/50	2 1/2"	1050	660	1130	140	R410A
MDS 260	13	433.0	917.8	26.0	2.96	230/1/50	2 1/2"	1050	660	1130	162	R410A

FULL FILTER RANGE

Allowing unclean or contaminated compressed air to enter your air network poses several risks. In almost all applications, this can cause a considerable decrease in performance as well as an increase in maintenance costs, both related to actual repairs as well as a loss in productivity. Mark's innovative filters are engineered to cost-effectively provide the best air quality and meet today's ever increasing quality demands. They are fully developed and tested according to ISO standards.



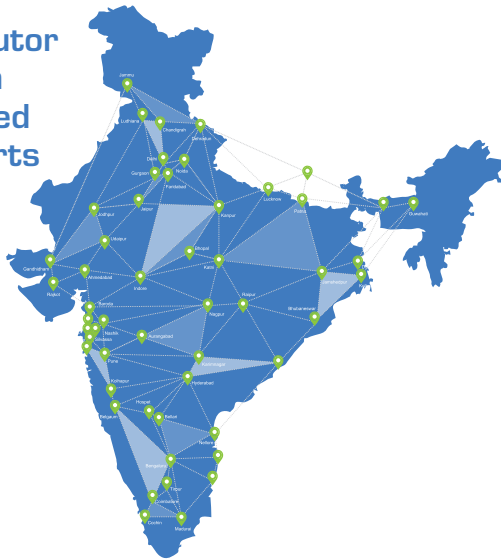
Components

- | | | |
|--------------------------------------|-----------------------------------|----------------------------|
| 1. High-efficiency glass fiber media | 4. Double O-ring leak free design | 7. Protection paper shield |
| 2. SS filter core for high strength | 5. Epoxy sealed caps | 8. Internal ribs support |
| 3. Oil & dust filter media | 6. Robust construction | |

UNPARALLELED EXPERTISE

- | | | | |
|----------------|-------------|-------------|--------------|
| Availability | Reliability | Partnership | Safety |
| Serviceability | Simplicity | Quality | More savings |

Wide distributor network with factory-trained service experts



Care. Trust. Efficiency.



- info.india@mark-compressors.com
- Reach us at - 1800 120 110 050
- www.markcompressors.in

Contact your local sales representative now!

© 2020, Mark. All rights reserved. All mentioned brands, product names, company names, trademarks and service marks are the properties of their respective owners. Our products are constantly being developed and improved. We thus reserve the right to modify product specifications without prior notice. Pictures are not contractually binding.